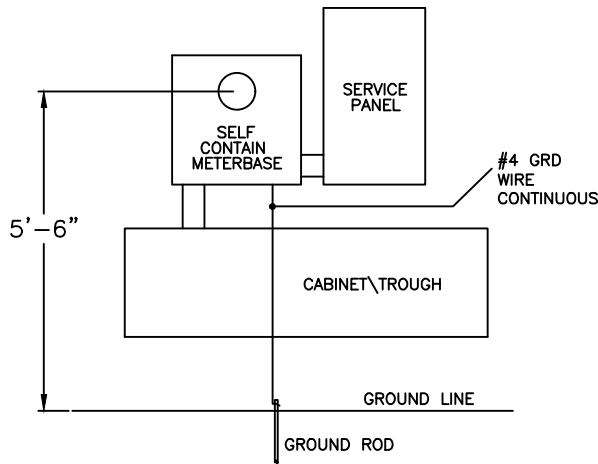
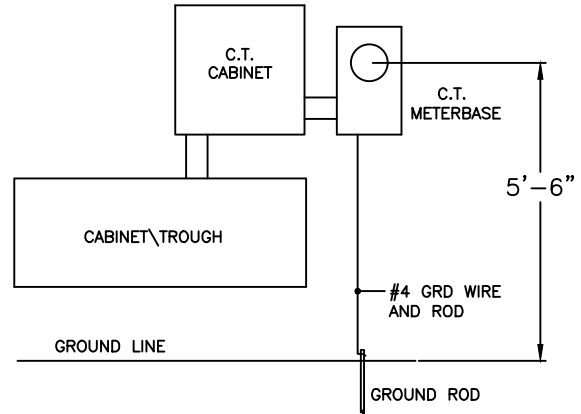


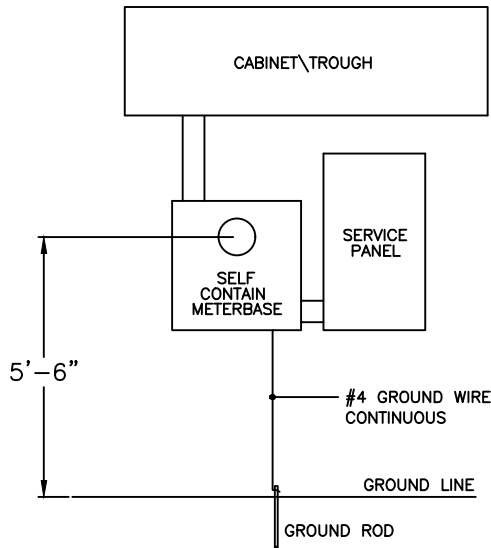
EXAMPLE 1



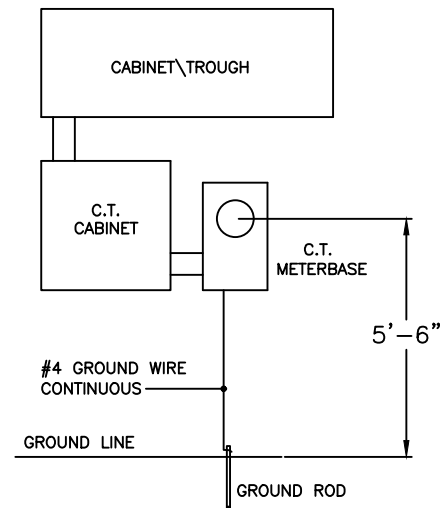
EXAMPLE 2



EXAMPLE 3



EXAMPLE 4



NOTES:

- IF THE MEMBER PURCHASES THEIR OWN CABINET\TROUGH IT MUST BE ALUMINUM WITH STAINLESS STEEL HARDWARE. CABINET\TROUGH LESS THAN OR EQUAL TO 30" X 30", IT MUST BE AT LEAST .08 INCH THICK (14 GAUGE) MATERIAL. CABINET\TROUGH OVER 30" X 30" MUST BE .1 INCHES THICK (12 GAUGE).
- IT MUST HAVE HANDLES AND THE ABILITY TO BE PAD LOCKED.
- IF CABINET\TROUGH DOES NOT HAVE HINGES, THERE MUST BE TWO HANDLES AND AT LEAST TWO LATCHES TO BE PAD LOCKED.
- GET APPROVAL FROM BALDWIN EMC ENGINEER ON ALL CUSTOM BUILT CABINET\TROUGH.
- BALDWIN EMC DOES NOT PROVIDE CABLES TO BE PULLED INTO THE CABINET\TROUGH.
- CONNECTIONS MADE IN CABINET\TROUGH MUST BE MADE WITH MULTI-TAP CONNECTORS PROVIDED BY OTHERS.
- GOVERNMENT AGENCIES AND/OR ELECTRICAL CODES WILL DETERMINE WHEN A DISCONNECT IS REQUIRED ON THE SOURCE SIDE OF CABINET\TROUGH.
- NO C.T.'s WILL BE INSTALLED IN CABINET\TROUGH.
- ALL EQUIPMENT SHALL BE BONDED PER GOVERNMENT AGENCIES AND/OR ELECTRICAL CODES.

DRAWN BY: D. LITTLE
 ENG. APPR: B. SEALS
 DATE: 12/21/23 COUNTY:
 SCALE: N.T.S. TSR:

BALDWIN EMC
 19600 HWY 59
 SUMMERDALE, AL 36580 251.989.6247

SIZE:
A

TITLE:

CABINET
 TROUGH